



SH-KP-8F/9F

TWO WAY WIRELESS ICON KEYPAD
WITH RFID READER FOR SHEPHERD™ PANELS



INSTRUCTION MANUAL
P/N 7101282 _C

DESCRIPTION

The SH-KP is a 2 way wireless Icon keypad with a built-in RFID reader designed to work with the Shepherd™ panel.

- Easy and user-friendly control
- Back Light indication
- Integrated panic and alerts functions
- Keypad loudness control
- Up to 3 years battery life
- **Events transmission:**
 - Arm / Disarm
 - Panic and Alerts: Fire and Medical
 - Tamper Open/Close
 - Supervision
 - Battery status
- Up to 4 keypads per Shepherd™ panel
- Remotely configurable
- Wall mounted or can be used as portable unit

OVERVIEW

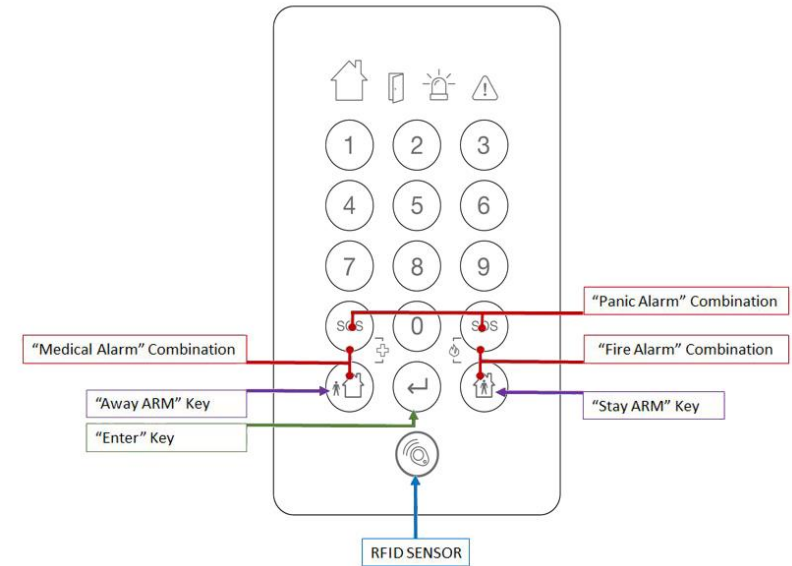


Figure 1

KEYPAD OPENING

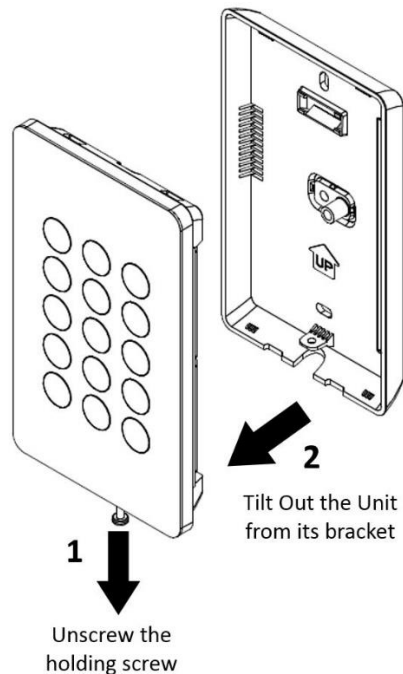


Figure 2

WALL MOUNTING

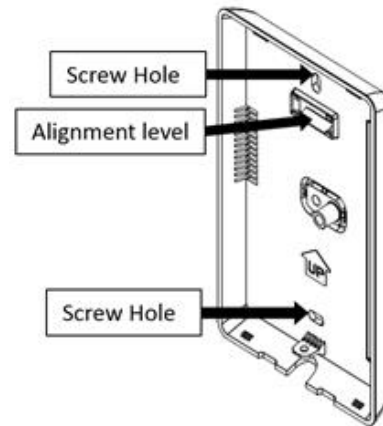



Figure 3
Wall bracket installation

1. Place the bracket on the wall
Check that the base is flat against the wall to facilitate the unit device insertion into the wall bracket
2. Use the built-in alignment level to verify the correct position.
3. Draw 2 holes on the wall and drill into the wall
4. Use supplied screws to mount the bracket on the wall.

PAIRING PROCESS

1. Log into Installer webpage :
<https://installer.crowcloud.xyz>
2. Select the panel you want to configure and go to "Keypads"
3. Click on the keypad position you want to add.
4. Set the link type "ISM", insert device's ID serial number, device type, and save configuration.
5. Insert batteries into keypad as per Figure 4.
6. The Keypad will start its power up process:

The Green Led indication  will switch ON for 3 seconds and then Red and Green Leds blinking alternately during device initialization until the device is ready for use.

7. When registration process is completed, the Green LED will freeze for 3 seconds and then turn OFF.

BATTERIES INSERTION

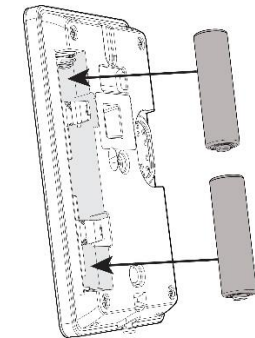


Figure 4

Batteries can be replaced by user
Place batteries according to their polarity.

CAUTION

RISK OF EXPLOSION
IF BATTERIES ARE REPLACED BY DIFFERENT TYPES / MODELS.
DISPOSE USED BATTERIES ACCORDING TO INSTRUCTIONS

BATTERIES MUST BE REPLACED BY 2 LITHIUM BATTERIES AA 1.5V LITHIUM (SUCH AS ENERGIZER L91)

RFID TAG LEARNING

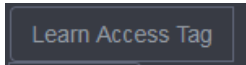
KEYPAD OPERATION

FAST ARM / FAST STAY ARM

SPECIFICATION

For Learning process, please refer to your control panel instructions.

1. Log into Installer webpage : <https://installer.crowcloud.xyz>
2. Go to USER in programming mode , select user number , go to tag section and click the button



3. The learning process will start
4. Press the enter key to wake the keypad up
5. Approach the tag to the RFID symbol on the keypad



6. Beep sounds and RFID led flashes
7. Confirm OK and Submit new configuration to the panel.

SYSTEM AWAY ARM

Enter User Code + Key

OR

Enter key + approach Tag to

SYSTEM HOME ARM

Enter User Code + Button

SYSTEM DISARM

Enter User Code + "Enter" key

OR

Enter key + approach Tag to

SYSTEM PANIC

Press both buttons simultaneously

FIRE ALERT

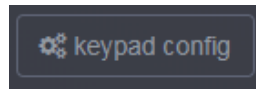
Press both + buttons simultaneously

MEDICAL ALERT

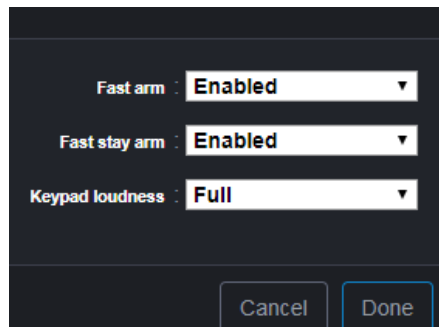
Press both + buttons simultaneously

Make sure to enable this option in keypad configuration level in the programming installer mode.

1. Log into Installer webpage : <https://installer.crowcloud.xyz>
2. Select the panel you want to configure and go to "Keypads".



3. Click on the keypad position you want to configure



Operation Method	Icon Keypad & RFID
Communication Protocol	Freewave2™ Two Way ISM GFSK with 5 frequencies & LBT
Frequency Band	868-869MHz or 916-917MHZ
Identification	Unique ID serial number – 24 bit
RFID	ISO 15693
Functions	Arm, Disarm, Zone Bypass, Panic Alerts, Local Program mode (users/tags)
Communication Range	500 m in open space
Current Consumptions	Standby: 4µA Transmission ~28 mA Average: 10mA
Batteries	2 x Lithium batteries AA Type L91 Low.Batt. 2.3V
Battery Life	Up to 3 years
Operating Temperature	-10°C to +55°C
Dimensions	143mm x 85mm x 20mm
Weight (Inc. bat)	200 gr



WARRANTY POLICY CERTIFICATE

Crow warrants these products to be free from defects in materials and workmanship under normal use and service for a period of 24 months from the last day of the week and year whose numbers are printed on the printed circuit board inside these products.

Subject to the provisions of this Warranty Certificate, during the Warranty Period, Crow undertakes, at its sole discretion and subject to Crow's procedures, as such procedures are from time to time, to repair or replace, free of charge for materials and/or labor, products proved to be defective in materials or workmanship under normal use and service. Repaired products shall be warranted for the remainder of the original Warranty Period. All transportation costs and in-transit risk of loss or damage related, directly or indirectly, to products returned to Crow for repair or replacement shall be borne solely by the Purchaser.

This Warranty Certificate does not cover products that is defective (or shall become defective) due to: (a) alteration of the products (or any part thereof) by anyone other than Crow; (b) accident, abuse, negligence, or improper maintenance; (c) failure caused by a product which Crow did not provide; (d) failure caused by software or hardware which Crow did not provide; (e) use or storage other than in accordance with Crow's specified operating and storage instructions.

There are no warranties, expressed or implied, of merchantability or fitness of the products for a particular purpose or otherwise, which extend beyond the description on the face hereof. This limited Warranty Certificate is the Purchaser's sole and exclusive remedy against Crow and Crow's sole and exclusive liability toward the Purchaser in connection with the products, including without limitation - for defects or malfunctions of the products.

This Warranty Certificate replaces all other warranties and liabilities, whether oral, written, (non-mandatory) statutory, contractual, in tort or otherwise. In no case shall Crow be liable to anyone for any consequential or incidental damages (inclusive of loss of profit, and whether occasioned by negligence of the Crow or any third party on its behalf) for breach of this or any other warranty, expressed or implied, or upon any other basis of liability whatsoever.

Crow does not represent that these products can not be compromised or circumvented; that these products will prevent any person injury or property loss or damage by burglary, robbery, fire or otherwise; or that these products will in all cases provide adequate warning or protection. Purchaser understands that a properly installed and maintained product may in some cases reduce the risk of burglary, fire, robbery or other events occurring without providing an alarm, but it is not insurance or a guarantee that such will not occur or that there will be no personal injury or property loss or damage as a result.

Consequently, Crow shall have no liability for any personal injury; property damage or any other loss based on claim that these products failed to give any warning. If Crow is held liable, whether directly or indirectly, for any loss or damage with regards to these products, regardless of cause or origin, Crow's maximum liability shall not in any case exceed the purchase price of these products, which shall be the complete and exclusive remedy against Crow.



sales@crow.co.il
support@crow.co.il

www.thecrowgroup.com

These instructions supersede all previous issues in circulation prior to March 2018

Compliance

The SH-KP conforms to the essential requirements set out by:

- RTTE directive: 1999/5/EC
- EMC directive: 2004/108/EC
- Low Voltage directive: 2006/95/EC

Harmonized Standards applicable to this products are:

- EN 50130-4
- EN 61000-6-3
- EN 301 489-1
- EN 301 489-3
- EN 300 220-1
- EN 300 220-2
- EN 300 330
- EN 62368-1

Additional Standards and Directives applicable to this product are:

- EN 50131-1
- EN 50131-3
- EN 50131-6
- EN 50131-5-3
- EN 50130-5

Certification body: Tefelication B.V.
Security Grade2, Environmental Class II